

*La femme et la maison*  
NIKA ZUPANC®

*Tapisserie*



DESIGN : NIKA ZUPANC | YEAR OF DESIGN : 2009 | PRODUCT CODE: ST09-01 | PRODUCTION : Hand made in Italy

**DESCRIPTION:**

Two-seater sofa - frame in piano black high gloss finish  
Assorted upholstery : 1 removable seat cushion / 1 removable back cushion / 2 loose cushions

**MATERIALS**

**FRAME / STRUCTURE:**

Wooden frame : brech plywood, fiberglas coat, colored and lacquered in pianoblack high gloss color

**LEGS:**

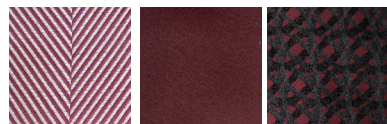
Alluminium casted legs colored and lacquered in pianoblack high gloss color

**UPHOLSTERY:**

SEAT CUSHION COVER: Cabana by Sahco / 100 PAN / cover removable - dry cleaning  
BACK CUSHION: Silkwood by Sacho /100 WO + Loop by Sahco 100PES / covers are not removable  
LOOSE CUSHIONS: Silkwood by Sacho /100 WO + Loop by Sahco 100PES / covers are not removable



**UPHOLSTERY COLOURS:**  
BORDEAUX RED COLOUR RANGE



BLACK COLOUR RANGE

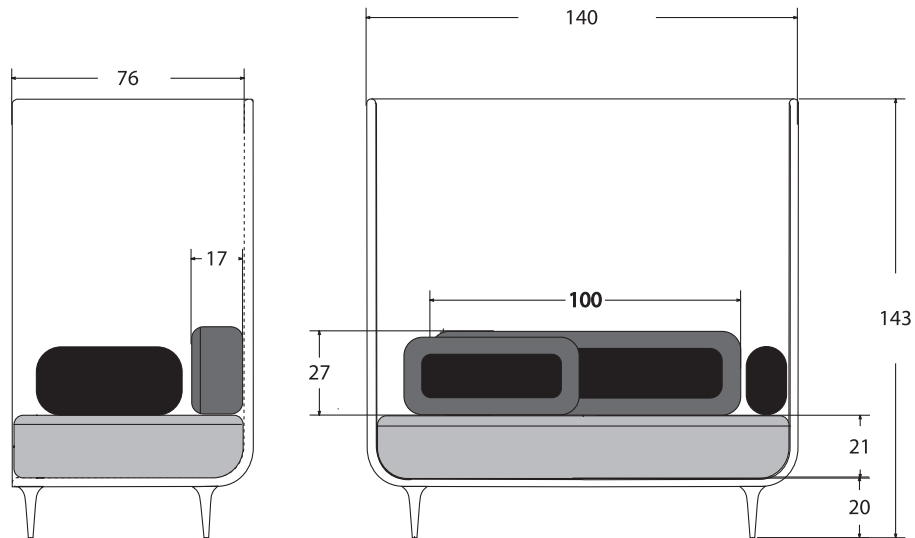


BLUE COLOUR RANGE



*La femme et la maison*  
NIKA ZUPANC®

*Tapisserie*



DESIGN : NIKA ZUPANC | YEAR OF DESIGN : 2009 | PRODUCT CODE: ST09-01 | PRODUCTION : Hand made in Italy

**TECHNICAL**

PRODUCT DIMENSIONS: 140 (W) x 76 (D) x 143 (H)

PRODUCT WEIGHT: \_ \_

**PACKAGING**

PACKAGING DIMENSIONS : 160 (W) x 90 (D) x 160 (H)

PACKAGE WEIGHT: 45 KG

Tapisserie is packed in light plywood flight case.

**MAINTAINANCE**

Using a good multi-surface spray cleaner and/or a trusted furniture polish with a soft cloth is recommended.

Do not use abrasive cloths or substances and always read the label of any product you wish to use.

For further assistance on how to clean this item please contact your nearest LFM Nika Zupanc agent.

*La femme et la maison*  
NIKA ZUPANC®

*Tapisserie bench*



DESIGN : NIKA ZUPANC | YEAR OF DESIGN : 2009 | PRODUCT CODE: BT09-01 | PRODUCTION : Hand made in Italy

**DESCRIPTION:**

Two-seater sofa - frame in piano black high gloss finish  
Assorted upholstery : 1 removable seat cushion

**MATERIALS**

**FRAME / STRUCTURE:**

Wooden frame : brench plywood, fiberglas coat, colored and lacquered in pianoblack high gloss color

**LEGS:**

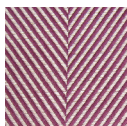
Alluminium casted legs colored and lacquered in pianoblack high gloss color

**UPHOLSTERY:**

SEAT CUSHION COVER: Cabana by Sahco / 100 PAN | cover removable /dry cleaning

**UPHOLSTERY COLOURS:**

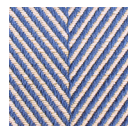
BORDEAUX RED COLOUR RANGE



BLACK COLOUR RANGE

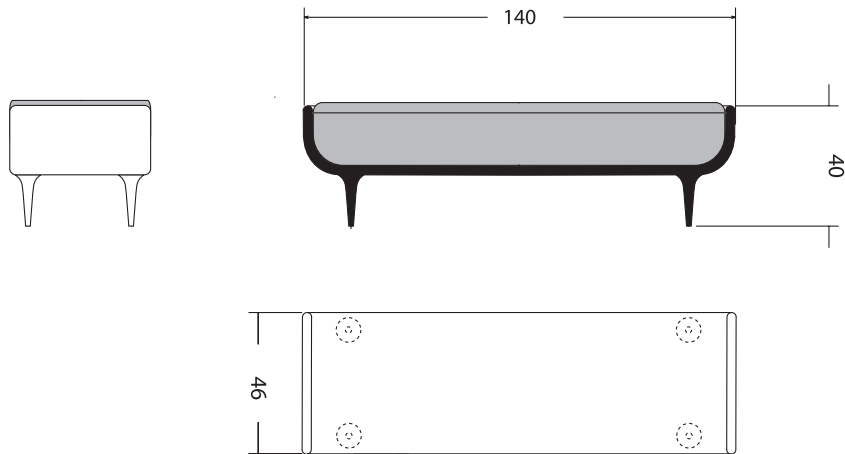


BLUE COLOUR RANGE



*La femme et la maison*  
NIKA ZUPANC®

*Tapisserie bench*



DESIGN : NIKA ZUPANC | YEAR OF DESIGN : 2009 | PRODUCT CODE: BT09-01 | PRODUCTION : Hand made in Italy

**TECHNICAL**

PRODUCT DIMENSIONS: 140 (W) x 46 (D) x 40 (H) cm

PRODUCT WEIGHT: \_\_

**PACKAGING**

PACKAGING DIMENSIONS : 160 (W) x 56 (D) x 50 (H) cm

PACKAGE WEIGHT: \_\_ KG

Tapisserie bench is packed in light plywood flight case.

**MAINTAINANCE**

Using a good multi-surface spray cleaner and/or a trusted furniture polish with a soft cloth is recommended.

Do not use abrasive cloths or substances and always read the label of any product you wish to use.

For further assistance on how to clean this item please contact your nearest LFM Nika Zupanc agent.

*La femme et la maison*  
NIKA ZUPANC®

*Phonique*



DESIGN : NIKA ZUPANC | YEAR OF DESIGN : 2009 | PRODUCT CODE: SP09-01 | PRODUCTION : Hand made in Italy

**DESCRIPTION:**

Three - seater sofa / frame in piano black high gloss finish /  
assorted upholstery : 1 removable seat cushion | 1 removable back cushion | 2 loose cushions

**MATERIALS**

**FRAME / STRUCTURE:**

Wooden frame : beech plywood, fibreglas coat, colored and lacquered in pianoblack high gloss color

**LEGS:**

Alluminium casted legs colored and lacquered in pianoblack high gloss color

**UPHOLSTERY:**

SEAT CUSHION COVER: Cabana by Sahco / 100 PAN | cover removable /dry cleaning

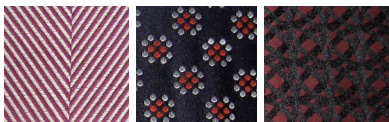
BACK CUSHION: Silkwood by Sacho /100 WO + Loop by Sahco 100PES | covers are not removable

LOOSE CUSHIONS: Silkwood by Sacho /100 WO + Loop by Sahco 100PES | covers are not removable

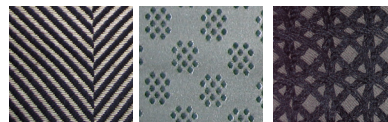


**UPHOLSTERY COLOURS:**

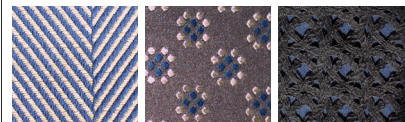
**BORDEAUX RED COLOUR RANGE**



**BLACK COLOUR RANGE**

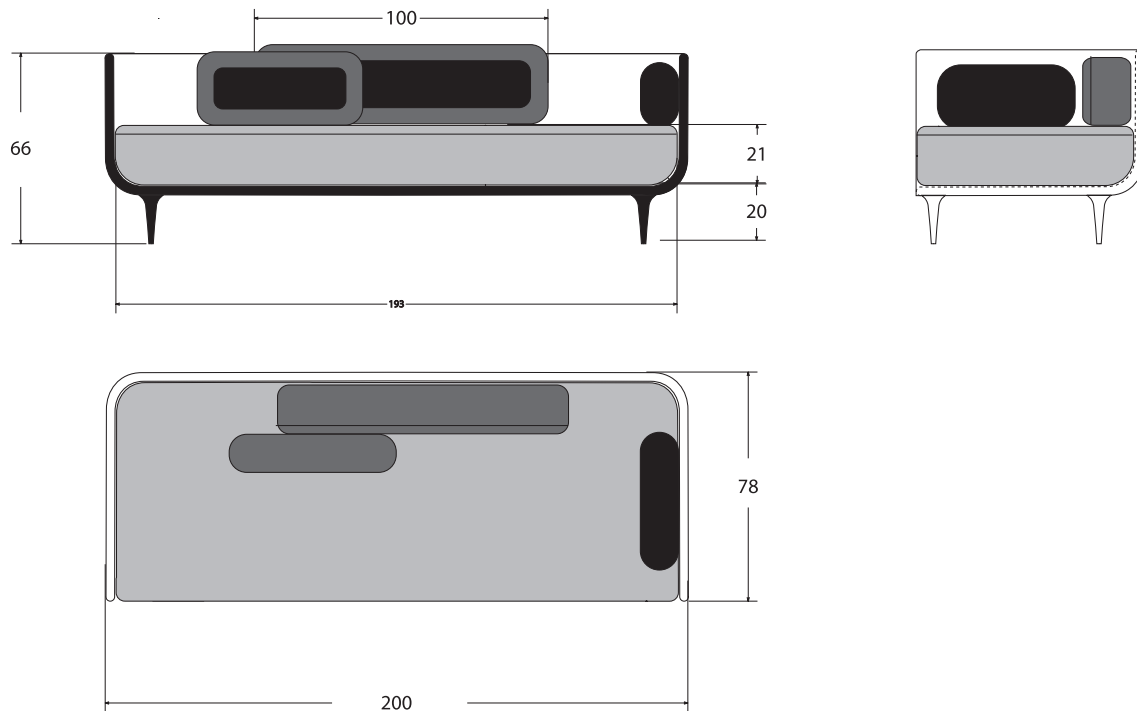


**BLUE COLOUR RANGE**



*La femme et la maison*  
NIKA ZUPANC®

*Phonique*



DESIGN : NIKA ZUPANC | YEAR OF DESIGN : 2009 | PRODUCT CODE: SP09-01 | PRODUCTION : Hand made in Italy

**TECHNICAL**

PRODUCT DIMENSIONS: 200 (W) x 78 (D) x 66 (H) cm  
PRODUCT WEIGHT: \_\_

**PACKAGING**

PACKAGING DIMENSIONS : 210 (W) x 88 (D) x 76 (H)  
PACKAGE WEIGHT: 45 KG

Phonique is packed in light plywood flight case.

**MAINTAINANCE**

Using a good multi-surface spray cleaner and/or a trusted furniture polish with a soft cloth is recommended. Do not use abrasive cloths or substances and always read the label of any product you wish to use. For further assistance on how to clean this item please contact your nearest LFM Nika Zupanc agent.