

La femme et la maison
NIKA ZUPANC®

Konstantin B



DESIGN : NIKA ZUPANC | YEAR OF DESIGN : 2009 | PRODUCT CODE: KB09-01 | PRODUCTION : Hand made

DESCRIPTION:

Activity toy, accessory

MATERIALS

FRAME / STRUCTURE:

Body shell: fiberglas, colored and lacquered in pianoblack high gloss finish

PARTS:

Aluminium or brass casted parts, polished / lacquered

Steering mechanism: plastic and metal parts

Rubber tyres

COLORS:

BLACK WHITE RED YELLOW GREEN

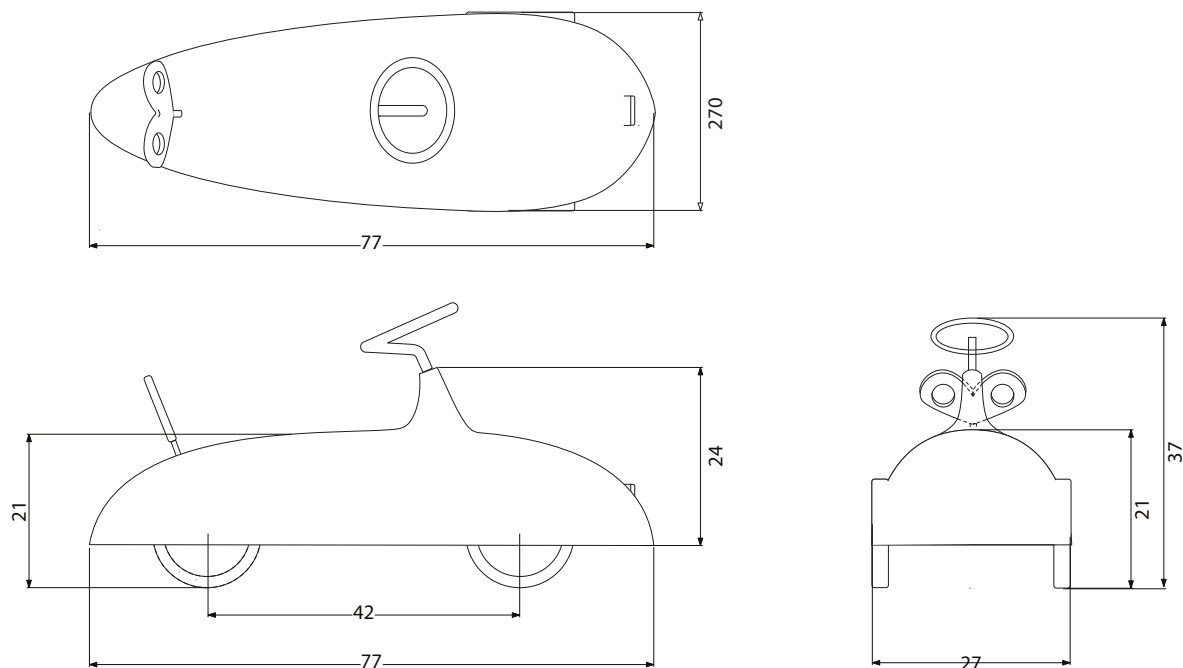


SILVER / GOLD PARTS



La femme et la maison
NIKA ZUPANC®

Konstantin B



DESIGN : NIKA ZUPANC | YEAR OF DESIGN : 2009 | PRODUCT CODE: KB09-01 | PRODUCTION : Hand made

TECHNICAL

PRODUCT DIMENSIONS: 77 (W) x 27 (D) x 37 (H)
PRODUCT WEIGHT (aluminum parts): 5,2 KG; PRODUCT WEIGHT (brass parts): ?? KG

PACKAGING

PACKAGING DIMENSIONS : 85 (W) x 37 (D) x 43 (H)
PACKAGE WEIGHT: 7,4 KG together (aluminum parts), 8,4 KG together (brass parts)

Konstantin B is placed in protective textile bag and packed in PP cardbox with PE inserts

MAINTAINANCE

The body: Remove dirt with a soft sponge, using plenty of water. Attention!: Use no cleaning substance. Fuel and chemical solvents attack the material.

The metal parts: Regular dusting with a camel hair brush or soft cloth should be sufficient together with an occasional wash with warm mild soapy water, never use hot water. Attention: Brass parts must never be cleaned with metal polishes or aerosol spray polishes. The lacquer coating will be damaged and this will cause early discolouration.

INSTRUCTIONS

To avoid danger of suffocation, remove this plastic cover before using the article. This cover should then be destroyed or kept away from babies and children.

Activity toy should be placed on a horizontal floor.

Do not use the activity toy if any part is broken, torn or missing.

Do not use activity toy for children under 16 months.

Never leave the child playing with this activity toy car unattended.

All assembly fittings should always be tightened properly and care should be taken that no screws are loose, because a child could trap parts of the body or clothing (e.g. strings, necklaces, ribbons for babies dummies, etc.) Which would pose risk of strangulation.

Be aware of the risk of open fires and other sources of strong heat, such as electric bar fires, gas fires, etc. (the distance should always be at least 2m)

Support +386 51 690 009