

NIKA ZUPANC®

Tapisserie



DESIGN : NIKA ZUPANC | YEAR OF DESIGN : 2009 | PRODUCT CODE: ST09-01 | PRODUCTION : Hand made in Italy

DESCRIPTION:

Two-seater sofa - frame in piano black high gloss finish
Assorted upholstery : 1 removable seat cushion / 1 removable back cushion / 2 loose cushions

MATERIALS

FRAME / STRUCTURE:

Wooden frame : brench plywood, fiberglas coat, colored and lacquered in pianoblack high gloss color

LEGS:

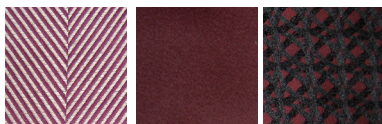
Alluminium casted legs colored and lacquered in pianoblack high gloss color

UPHOLSTERY:

SEAT CUSHION COVER: Cabana by Sahco / 100 PAN / cover removable - dry cleaning
BACK CUSHION: Silkwood by Sacho /100 WO + Loop by Sahco 100PES / covers are not removable
LOOSE CUSHIONS: Silkwood by Sacho /100 WO + Loop by Sahco 100PES / covers are not removable



UPHOLSTERY COLOURS: BORDEAUX RED COLOUR RANGE



BLACK COLOUR RANGE

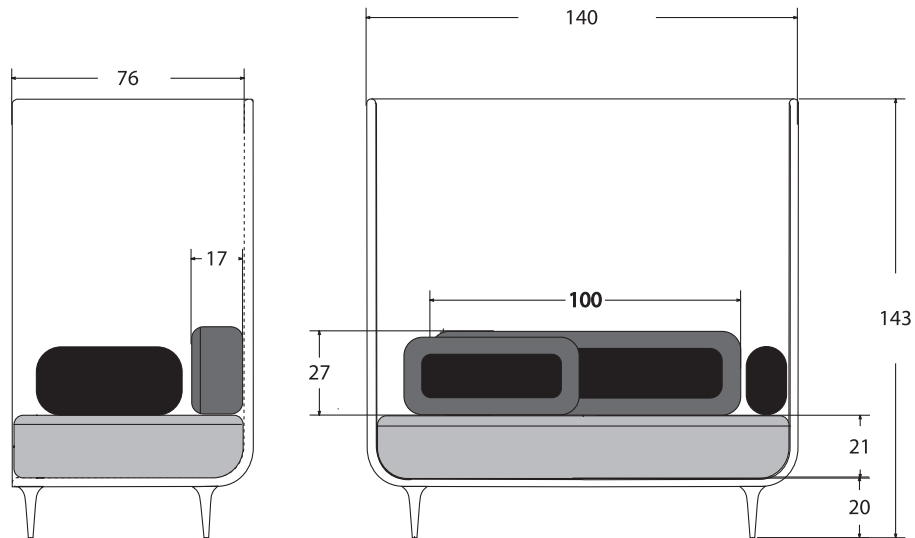


BLUE COLOUR RANGE



NIKA ZUPANC®

Tapisserie



DESIGN : NIKA ZUPANC | YEAR OF DESIGN : 2009 | PRODUCT CODE: ST09-01 | PRODUCTION : Hand made in Italy

TECHNICAL

PRODUCT DIMENSIONS: 140 (W) x 76 (D) x 143 (H)

PRODUCT WEIGHT: _ _

PACKAGING

PACKAGING DIMENSIONS : 160 (W) x 90 (D) x 160 (H)

PACKAGE WEIGHT: 45 KG

Tapisserie is packed in light plywood flight case.

MAINTAINANCE

Using a good multi-surface spray cleaner and/or a trusted furniture polish with a soft cloth is recommended.

Do not use abrasive cloths or substances and always read the label of any product you wish to use.

For further assistance on how to clean this item please contact your nearest LFM Nika Zupanc agent.

NIKA ZUPANC®

Tapisserie bench



DESIGN : NIKA ZUPANC | YEAR OF DESIGN : 2009 | PRODUCT CODE: BT09-01 | PRODUCTION : Hand made in Italy

DESCRIPTION:

Two-seater sofa - frame in piano black high gloss finish
Assorted upholstery : 1 removable seat cushion

MATERIALS

FRAME / STRUCTURE:

Wooden frame : brench plywood, fiberglas coat, colored and lacquered in pianoblack high gloss color

LEGS:

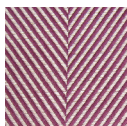
Alluminium casted legs colored and lacquered in pianoblack high gloss color

UPHOLSTERY:

SEAT CUSHION COVER: Cabana by Sahco / 100 PAN | cover removable /dry cleaning

UPHOLSTERY COLOURS:

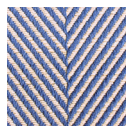
BORDEAUX RED COLOUR RANGE



BLACK COLOUR RANGE

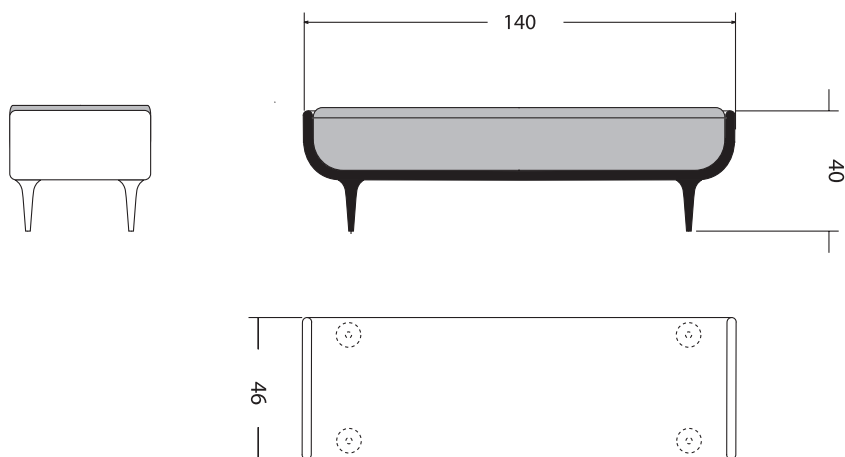


BLUE COLOUR RANGE



NIKA ZUPANC®

Tapisserie bench



DESIGN : NIKA ZUPANC | YEAR OF DESIGN : 2009 | PRODUCT CODE: BT09-01 | PRODUCTION : Hand made in Italy

TECHNICAL

PRODUCT DIMENSIONS: 140 (W) x 46 (D) x 40 (H) cm

PRODUCT WEIGHT: __

PACKAGING

PACKAGING DIMENSIONS : 160 (W) x 56 (D) x 50 (H) cm

PACKAGE WEIGHT: __ KG

Tapisserie bench is packed in light plywood flight case.

MAINTAINANCE

Using a good multi-surface spray cleaner and/or a trusted furniture polish with a soft cloth is recommended.

Do not use abrasive cloths or substances and always read the label of any product you wish to use.

For further assistance on how to clean this item please contact your nearest LFM Nika Zupanc agent.

NIKA ZUPANC®

Phonique



DESIGN : NIKA ZUPANC | YEAR OF DESIGN : 2009 | PRODUCT CODE: SP09-01 | PRODUCTION : Hand made in Italy

DESCRIPTION:

Three - seater sofa / frame in piano black high gloss finish / assorted upholstery : 1 removable seat cushion | 1 removable back cushion | 2 loose cushions

MATERIALS

FRAME / STRUCTURE:

Wooden frame : beech plywood, fibreglas coat, colored and lacquered in pianoblack high gloss color

LEGS:

Alluminium casted legs colored and lacquered in pianoblack high gloss color

UPHOLSTERY:

SEAT CUSHION COVER: Cabana by Sahco / 100 PAN | cover removable /dry cleaning

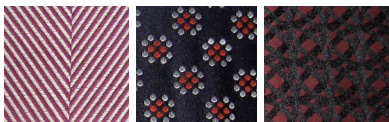
BACK CUSHION: Silkwood by Sacho /100 WO + Loop by Sahco 100PES | covers are not removable

LOOSE CUSHIONS: Silkwood by Sacho /100 WO + Loop by Sahco 100PES | covers are not removable

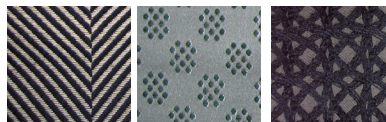


UPHOLSTERY COLOURS:

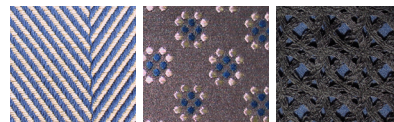
BORDEAUX RED COLOUR RANGE



BLACK COLOUR RANGE

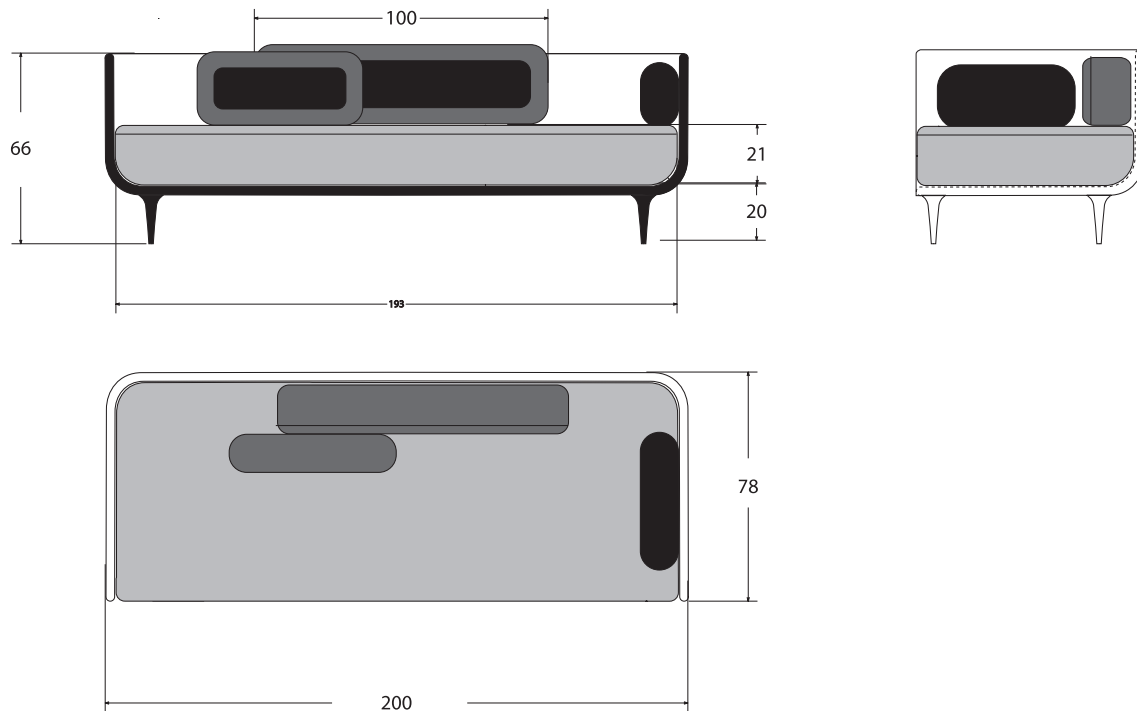


BLUE COLOUR RANGE



NIKA ZUPANC®

Phonique



DESIGN : NIKA ZUPANC | YEAR OF DESIGN : 2009 | PRODUCT CODE: SP09-01 | PRODUCTION : Hand made in Italy

TECHNICAL

PRODUCT DIMENSIONS: 200 (W) x 78 (D) x 66 (H) cm

PRODUCT WEIGHT: __

PACKAGING

PACKAGING DIMENSIONS : 210 (W) x 88 (D) x 76 (H)

PACKAGE WEIGHT: 45 KG

Phonique is packed in light plywood flight case.

MAINTAINANCE

Using a good multi-surface spray cleaner and/or a trusted furniture polish with a soft cloth is recommended.

Do not use abrasive cloths or substances and always read the label of any product you wish to use.

For further assistance on how to clean this item please contact your nearest LFM Nika Zupanc agent.